

AX12065

DATASHEET

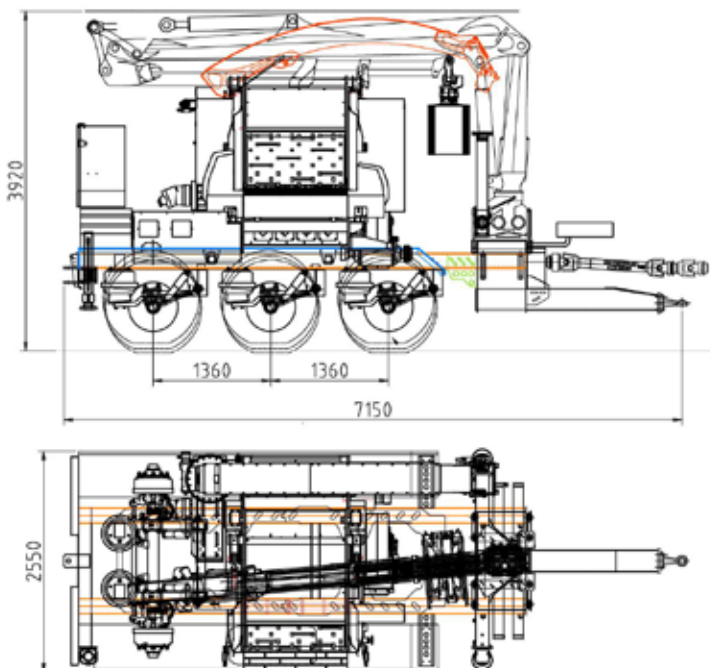
TECHNICAL DATA

Dimensions of infeed opening (w x h):	1200 x 1100 mm
Maximum chipping diameter (softwood)*:	800 mm
Maximum chipping diameter (hardwood)*:	550 mm
Drum diameter:	1000 mm
Infeed belt width:	1200 mm
Infeed belt length:	2200 mm
Infeed table width:	2200 mm
Speed of rotation of chipping drum:	500-750 rpm
Number of blades:	5/10
Screen type:	Replaceable
Weight PTO (base unit)	18,000 kg
Weight Engine (basis unit)	20,000 kg
Power required for PTO:	Min. 200 hp Max. 520 hp
Capacity*:	Up to 250 m ³ /h



CONTACT US ON

+31 (0)315 69 54 70



TYPE AX12065

The AX12065 is a chipper from the largest range of AXSEL chippers with a drum diameter of 1000 mm.

The chipper is designed for large-diameter logs and has a robust and solid construction.

A large infeed guide enables this chipper to take large volumes of material easily.

A broad platform enables the routine replacement of the drum blades to be carried out very quickly. This ensures maximum access to the drum.

A 1250mm hydraulically driven ejector wheel enables the chipper to be operated even at speeds of less than 600 rpm in order to reduce the amount of dust and fine particles produced.

An extensive operating system enables maintenance intervals to be set quite easily.

The chipper can be driven by both a diesel engine and a PTO drive.

Assembly options are slow-/fast-tow or as a 'standalone' package.

Computer system: Hydac with 7" touchscreen colour display

Operation of the main functions integrated in 1 control cabinet

S

The automatic Non-stress system regulates the infeed based on the available power

Models:

AX12065 – Tandem-axle slow-tow trailer with fixed axle.

PTO driven – 1000 rpm min. 200 hp – max. 520 hp +/- 18,000 kg

AX12065 – Static machine – truck-/trailer-/ground-mounted

Engine: Volvo Penta TAD 1672 – 515 KW – 700 hp 3200 Nm +/- 20,000 kg

AX12065 – Static machine – truck-/trailer-/ground-mounted

Engine: Caterpillar C18 – 597 KW – 800 hp 3500 Nm +/- 20,500 kg

Tandem-axle slow-tow trailer, 2E steered axles and with suspension

Lighting bar, tyres: 560/45R22.5" air or hydraulic brakes

O

Triple tandem-axle slow-tow trailer, forced steered first and last axles

Lighting bar, tyres: 560/45R22.5" air or hydraulic brakes

O

Infeed table extension, hydraulically operated

Fully remote controllable operation

O

Hydraulic support legs (for application with own engine)

O

C-shaped hydraulic wood splitter max. diameter 900 mm

O

Rotates 360° on chassis (for application with own engine)

O

Heavy duty drum with 5/10 blades for 1/2 cut(s) per revolution

O

Hydraulically driven ejector wheel

O

Rubber conveyor belt as an addition to the ejector pipe (for PTO application)

O

Rubber conveyor belt as a replacement for the ejector pipe (for PTO application)

O

Chipper assembly on hook arm system (for application with own engine)

O

Camera mounted in desired position with viewing via chipper's LCD display

O

Hydraulically activated chipper drum

(available for PTO model with coupling and without proportional starter)

O

Forestry crane assembly, with or without cab (personalised model)

O

Automatic lubrication system

O

* variable and dependent on operator, available power from own engine or tractor, type of wood, type of screen and technical state of the blades.

S = Standard

O = Option



ADDRESS De Bolanden 9, 7071 PW Ulft (NL) MAILING ADDRESS P.O. Box 16, 7070 AA Ulft (NL)

T +31 315 - 69 54 70 F +31 315 - 69 54 79 E info@henconforestry.com