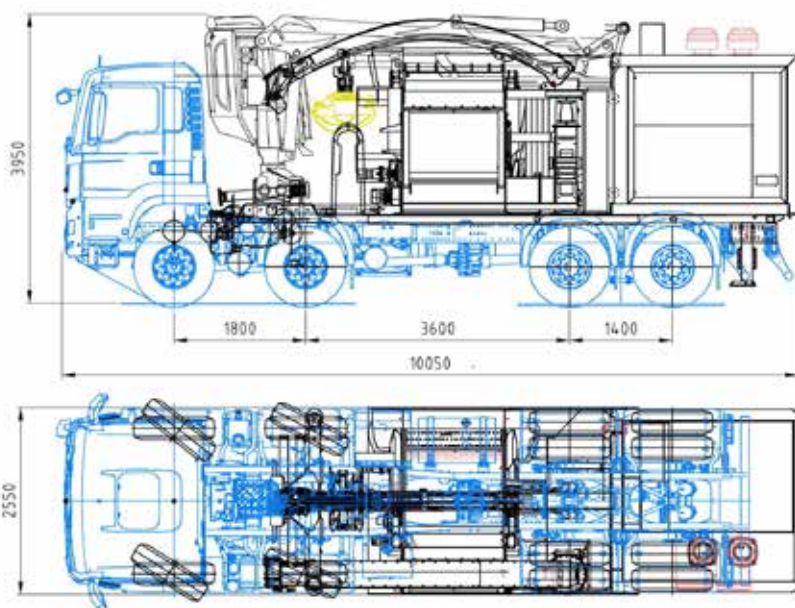


AX14065

DATASHEET

TECHNICAL DATA

Dimensions of infeed opening (w x h):	1400 x 1100 mm
Maximum chipping diameter (softwood)*:	800 mm Maximum
chipping diameter (hardwood)*:	550 mm
Drum diameter:	1000 mm
Infeed belt width:	1400 mm
Infeed belt length:	2200 mm
Infeed table width:	2400 mm
Speed of rotation of chipping drum:	500-750 rpm
Number of blades:	5/10
Screen type:	Replaceable
Weight Engine (base unit)	25,000 kg
Capacity*:	Up to 300 m ³ /h



CONTACT US ON

+31 (0)315 69 54 70

TYPE AX14065

The AX14065 is a chipper from the largest range of AXSEL chippers with a drum diameter of 1000 mm.

The chipper is designed for large-diameter logs and has a robust and solid construction.

A large infeed guide enables this chipper to take large volumes of material easily.

A broad platform enables the routine replacement of the drum blades to be carried out very quickly.

This ensures maximum access to the drum.

A 1250 mm hydraulically driven ejector wheel enables the chipper to be operated even at speeds of less than 600 rpm in order to reduce the amount of dust and fine particles produced.

An extensive operating system enables maintenance intervals to be set quite easily.

The chipper is only available with its own engine

Assembly options are slow-/fast-tow or as a 'standalone' package.

Computer system: Hydac with 7" touchscreen colour display

Operation of the main functions integrated in 1 control cabinet

S

The automatic Non-stress system regulates the infeed based on the available power

Models:

AX12065 – Static machine – truck-/trailer-/ground-mounted

Engine: Caterpillar – C18 – 597 kW – 800 hp 3500 Nm +/- 25,000 kg

AX12065 – Static machine – truck-/trailer-/ground-mounted

Engine: Caterpillar C27 – 858 kW – 1150 hp 4800 Nm +/- 26,500 kg

Infeed table extension, hydraulically operated

O

Fully remote controllable operation

O

Hydraulic support legs

O

C-shaped hydraulic wood splitter max. diameter 900 mm

O

Rotates 360° on chassis (for application with own engine)

O

Heavy duty drum with 5/10 blades for 1/2 cut(s) per revolution

O

Hydraulically driven ejector wheel

O

Camera mounted in desired position with viewing via chipper's LCD display

O

Forestry crane assembly, with or without cab (personalised model)

O

Automatic lubrication system

O

* variable and dependent on operator, available power from own engine or tractor, type of wood, type of screen and technical state of the blades. S

= Standard

O = Option



ADDRESS De Bolanden 9, 7071 PW Ulft (NL) MAILING ADDRESS P.O. Box 16, 7070 AA Ulft (NL)

T +31 315 - 69 54 70 F +31 315 - 69 54 79 E info@henconforestry.com