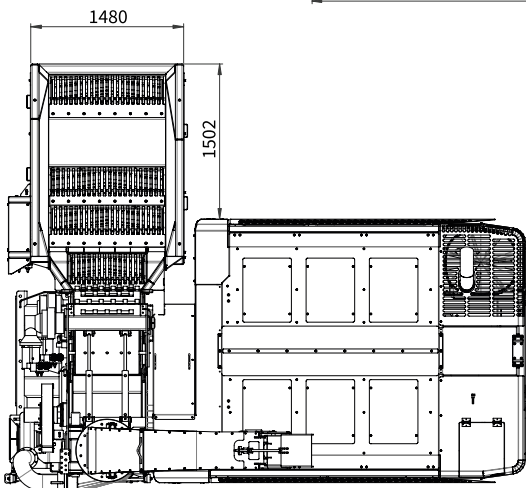
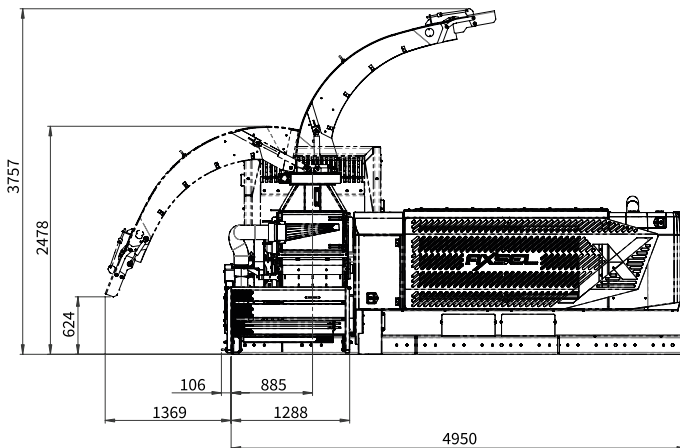


AX6060

DATASHEET

TECHNICAL DATA

Dimensions of infeed opening (w x h):	600 x 600 mm
Drum diameter:	1000 mm
Speed of rotation of chipping drum:	1000 rpm
Number of blades:	2/4
Screen type:	none, 30, 50, 60, 80, 110 mm
Infeed force:	5600 kg
Weight (base unit)	11000 kg
Engine power:	405 kW/550 hp
Output*:	up to 180 m ³ /h



CONTACT US ON

+31 (0)315 69 54 70

TYPE AX6060

TAD1385VE stage V

Volvo Penta 6 cyl. Diesel 405 kW/550 hp

Stainless steel fuel tank, 600-litre capacity with 70-litre tank Ad Blue

Reversible fans (cleaning of coolers);

Chipper unit driven by power belt, automatically hydraulically tensioned

Engine housing with lockable wing doors

Hydraulic installation, filled as standard with Shell Tellus T46 mineral oil Stainless steel centrifugal air filter.

Self-cleaning pre-filter

Chipper with closed drum; direct chip and eject concept without jacks and extra ejector wheel

Computer system: Hydac with 7" touchscreen colour display

Steplessly adjustable infeed speed of 0-60 m/min

Main functions operated by means of separate control box which can be attached to armrest

S

Automatic Non-Stress system

S

Deltames® can be set in UP & DOWN position

S

Air support, belt-driven 80 m³/min

S

Air support, hydraulically driven 80 m³/min rpm independently

S

Ejector pipe, hydraulically operated, Ø 33 cm, rotates 320°

O

Ejector pipe extension

S

Infeed table – hydraulically operated, tilts 120°, can be used in any chosen position

O

Roller infeed table – fitted with 4 aggressively toothed driven infeed rollers

Additional weight 1000 kg approx., tilts 120° and can be used in any chosen position

O

4 mechanically extendable support legs

O

Remote control – chipper is fully remotely controlled with display showing infeed speed, engine speed and alarm messages

O

JD Hydraul Gard biohydraulic oil instead of the standard Shell Tellus T46

O

Panolin HLP46 biohydraulic oil with Kleenoil filter system instead of the standard Shell Tellus T46

O

Eberspächer Hydronic 10 block heater – for preheating the engine and hydraulic system

O

DAFO automatic extinguishing system

O

Compressor driven by Honda petrol engine;

Installed in engine compartment. Incl. 5-metre air hose reel

O

Reversing camera and/or ejector pipe camera

O

LED work lamps mounted on the discharge pipe and/or around the machine

O

Chip box, high tipping container, 24 m³ approx.. 2.8 m tipping height

Additional weight 4500 kg approx., columns not telescopic

O

Chip box, high tipping container, 24 m³ approx.. 4.35 m tipping height

Additional weight 5000 kg approx., columns telescopic

O

Slow-tow chassis. DD T 20

O

Fast-tow chassis – ABS

Standalone system can rotate the whole machine 360°

* variable and dependent on operator, available power from own engine or tractor, type of wood, type of screen and technical state of the blades.

S = Standard

O = Option



ADDRESS De Bolanden 9, 7071 PW Ulft (NL) MAILING ADDRESS P.O. Box 16, 7070 AA Ulft (NL)

T +31 315 - 69 54 70 F +31 315 - 69 54 79 E info@henconforestry.com