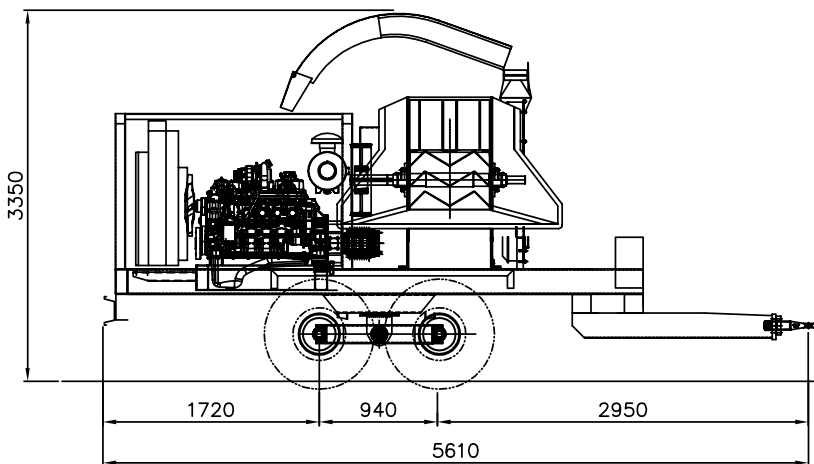
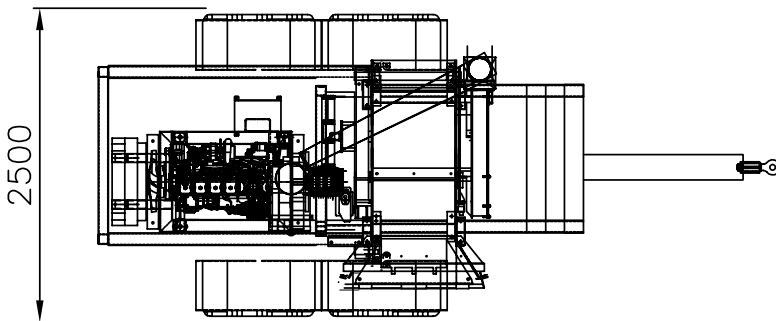


## AX6525

DATASHEET

### TECHNICAL DATA

|                                       |                            |
|---------------------------------------|----------------------------|
| Dimensions of infeed opening (w x h): | 640 x 300 mm Drum          |
| diameter:                             | 520 mm                     |
| Speed of rotation of chipping drum:   | 500-750 rpm                |
| Number of blades:                     | 3                          |
| Screen type:                          | Replaceable                |
| Weight (base unit)                    | +/- 2200 kg                |
| Power required for PTO:               | Min. 70 hp Max. 130 hp     |
| Capacity*:                            | Up to 25 m <sup>3</sup> /h |



**CONTACT US ON**

+31 (0)315 69 54 70

# TYPE AX6525

This is the basic model from the AXSEL chipper series. It is known for its robust construction with closed drum which makes it reliable and durable, guaranteeing a maximum lifespan.  
 It has been designed for ease of use with minimum maintenance costs. The wear parts can be replaced quickly and easily.  
 The chipper can be driven by both a diesel engine and a PTO drive.  
 The combination of the large top roller and the smaller bottom roller is the optimum infeed set-up.  
 The machine can be operated both manually and using a loading crane.  
 The machine has a safety cage to protect the operator during manual operation.  
 A large-diameter ejector wheel ensures that the wood chips are ejected without any problems and at an acceptable distance from the machine

|   |   |
|---|---|
| Computer system: IFM with 2.8" touchscreen colour display                         |   |
| Operation of the main functions integrated in 1 control cabinet                   | S |
| The automatic Non-stress system regulates the infeed based on the available power |   |

**Models:**

AX6525 - Single-axle slow-tow trailer. Tyres 400/60/15.5"  
 Mechanical brakes, PTO driven +/- 3000 kg

AX6525 - Static machine - truck-/trailer-/ground-mounted  
 Engine: Iveco N67 ENTX 175 kW - 238 hp 1020 Nm +/- 3800 kg

AX6525 - Static machine - truck-/trailer-/ground-mounted  
 Engine: John Deere 6068 149 kW - 200 hp 1000 Nm +/- 3900 kg

|   |   |
|---|---|
| Ejector pipe, manually operated, rotates 270°   | S |
| Infeed table - hydraulically operated 90°   | S |
| Deflector - Manually operated by means of a cable   | S |
| Independent hydraulic system  | S |
| Replaceable screen  | S |
| Tandem-axle slow-tow trailer, with bogie axle without suspension<br>Lighting bar, tyres: 400/60/15.5" air or hydraulic brakes | O |
| 80 km/h trailer designed with leaf spring suspension and air brakes   | O |
| Air or hydraulic brake system for single-axle trailer   | O |
| Slow-tow rigid single-axle trailer, tyres: 400/60/15.5"<br>With mechanical, air or hydraulic brakes                           | O |
| Fully remote controllable operation   | O |
| Remote controllable operation for manual infeed<br>(safety bar not present)   | O |
| Electrically operated controls by means of cable for manual infeed  | O |
| Forestry crane assembly, with or without cab (personalised model)   | O |

\* variable and dependent on operator, available power from own engine or tractor, type of wood, type of screen and technical state of the blades.  
 S = Standard  
 O = Option



ADDRESS De Bolanden 9, 7071 PW Ulft (NL) MAILING ADDRESS P.O. Box 16, 7070 AA Ulft (NL)  
 T +31 315 - 69 54 70 F +31 315 - 69 54 79 E info@henconforestry.com