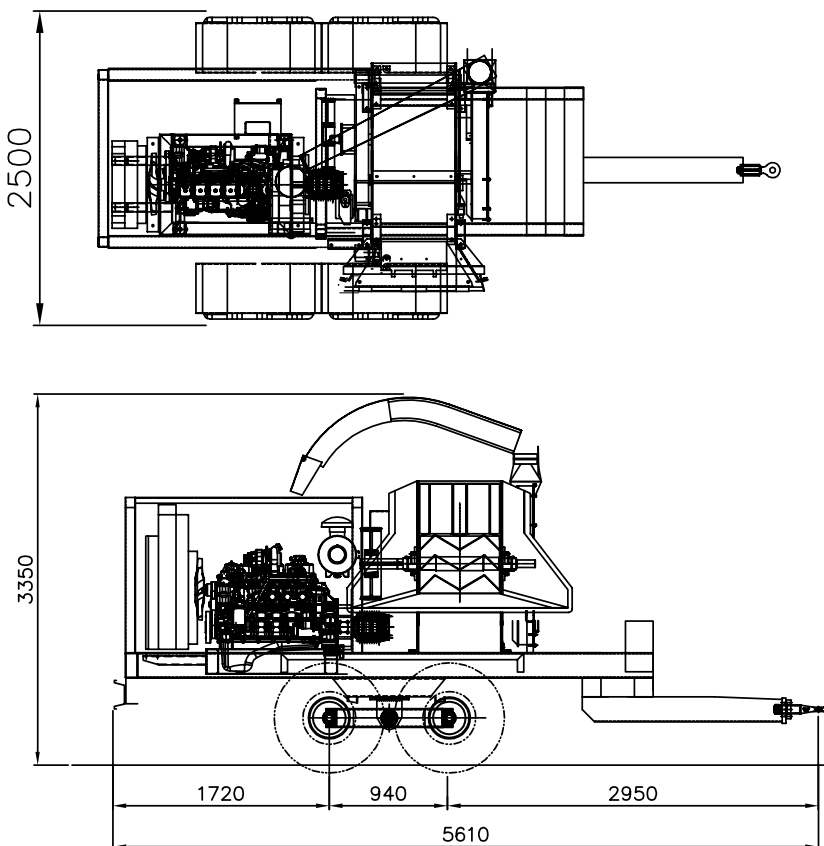


## AX6535

DATASHEET

### TECHNICAL DATA

Dimensions of infeed opening (w x h):	640 x 400 mm
Drum diameter:	520 mm
Speed of rotation of chipping drum:	500-750 rpm
Number of blades:	8/4/3
Screen type:	Replaceable
Weight (base unit):	2900 kg
Power required for PTO:	Min. 70 hp Max. 130 hp
Capacity*:	Up to 25 m <sup>3</sup> /h



**CONTACT US ON**

+31 (0)315 69 54 70

## TYPE AX6535 MULTICUT

The AX6535 Multicut is the latest addition to the established range of AXSEL drum chippers. It is a drum chipper with optional Multicut system with an open drum structure and 8 mounted blades. This 'heavy duty' cutting mechanism can cut up larger-diameter logs to produce wood chips without needing an excessively high level of power to do so.

The chipper retains the particularly robust construction of AXSEL drum chippers so that reliability and excellent performance are guaranteed. Infeed material is guided by a large roller on top and a short infeed belt underneath. This set-up ensures that the material is kept under control until it reaches the counter blade, thus guaranteeing optimum, homogeneous cutting of the material.

The chipper can be driven by both a diesel engine and a PTO drive.

The machine can be operated both manually and using a loading crane.

The machine has a safety cage to protect the operator during manual operation.

Assembly options are stationary, slow-/fast-tow or with a 3-point attachment.

Computer system: IFM with 2.8" touchscreen colour display

Operation of the main functions integrated in 1 control cabinet

The automatic Non-stress system regulates the infeed based on the available power

### Models:

AX6535 Multicut - Single-axle slow-tow trailer. Tyres 400/60/15.5"

Mechanical brakes, PTO driven

AX6535 Multicut – Static machine – truck-/trailer-/ground-mounted

Engine: Iveco N67 ENTX 175 kW – 238 hp 1020 Nm +/- 4300 kg

AX6535 Multicut – Static machine – truck-/trailer-/ground-mounted

Engine: John Deere 6068 149 kW – 200 hp 1000 Nm +/- 4400 kg

AX6535 Multicut – static machine – electrically driven, 55 kW.

Without ejector pipe, ejection via conveyor belt – max. chip diameter 250 mm

Ejector pipe, Hydraulically operated, rotates 270° incl. hydraulically operated deflector

3-blade drum – 1 cut per revolution

8-blade drum – 2 cuts per revolution instead of the standard 4

Tandem-axle slow-tow trailer, with bogie axle without suspension

Lighting bar, tyres: 400/60/15.5" air or hydraulic brakes

80 km/h trailer designed with leaf spring suspension and air brakes

Air or hydraulic brake system for single-axle trailer

Road transport approval (homologation) 80 km/h

Fully remote controllable operation

Remote controllable operation for manual infeed  
(safety bar not present)

2nd smooth infeed belt 670 mm in bottom hinged part of the infeed table

2nd aggressively toothed infeed belt 670 mm in bottom hinged part of the infeed table

Extra heavy-duty Electric engine 75 kW (only for electrical model)

Extra drive pulley installed between shaft drive and chipper drum for lowering the  
drive shaft 60 cm. (Specific PTO drive)

Conveyor belt instead of ejector pipe

Hydraulic traction engine on chassis wheels

Forestry crane assembly, with or without cab (personalised model)

Ejector pipe with fan, rotates manually 270° (Only for electrical model)

\* variable and dependent on operator, available power from own engine or tractor, type of wood, type of screen and technical state of the blades.

S = Standard

O = Option



ADDRESS De Bolanden 9, 7071 PW Ulft (NL) MAILING ADDRESS P.O. Box 16, 7070 AA Ulft (NL)

T +31 315 - 69 54 70 F +31 315 - 69 54 79 E info@henconforestry.com