

AX9045L

DATASHEET

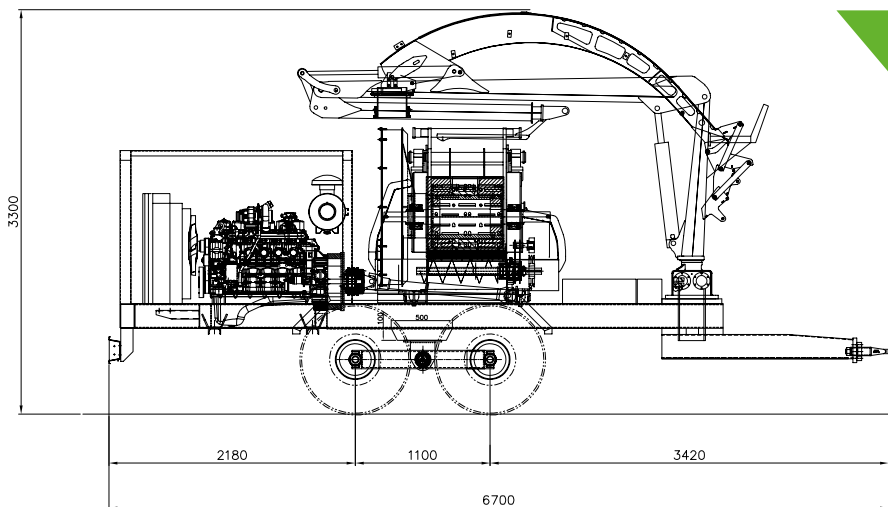
TECHNICAL DATA

Dimensions of infeed opening (w x h):	950 x 600 mm
Maximum chipping diameter (softwood)*:	500 mm
Maximum chipping diameter (hardwood)*:	350 mm
Drum diameter:	660 mm
Infeed belt width:	950 mm
Infeed belt length:	2200 mm
Infeed table width:	1800 mm
Speed of rotation of chipping drum:	500-750 rpm
Number of blades:	4
Screen type:	Replaceable
Weight (base unit)	8500 kg
Power required for PTO:	Min. 140hp Max. 280hp
Capacity*:	Up to 100 m ³ /h



CONTACT US ON

+31 (0)315 69 54 70



TYPE AX9045L

The AX9045L is the 'medium range' model in the compact range of AXSEL chippers.

The chipper retains the particularly robust construction of AXSEL drum chippers so that reliability and excellent performance are guaranteed.

A large infeed guide enables this chipper to take large volumes of material easily.

The top roller lifts up out of the way enabling the routine replacement of the drum blades to be carried out very quickly and ensuring maximum access to the drum.

With a 1250 mm ejector wheel which is driven directly by the drum, the chipper can even be operated at speeds of less than 600 rpm in order to reduce the amount of dust and fine particles produced.

An extensive operating system enables maintenance intervals to be set quite easily. The chipper can be driven by both a diesel engine and a PTO drive.

Assembly options are slow-/fast-tow or as a 'standalone' package.

Computer system: IFM with 2.8" touchscreen colour display Operation of the main functions integrated in 1 control cabinet The automatic Non-stress system regulates the infeed based on the available power	S
---	---

Models:

AX9045L - Single-axle slow-tow trailer. Tyres 500/55/17" PTO driven - 1000 rpm min 140 hp - max 280 hp +/- 8500 kg

AX9045L - Static machine - truck-/trailer-/ground-mounted Engine: John Deere 6068 149 kW - 200 hp 1000 Nm, +/- 10,000 kg

AX9045L - Static machine - truck-/trailer-/ground-mounted Engine: John Deere 6090 298 KW - 400 hp 1690Nm, +/- 10,000 kg

Tandem-axle slow-tow trailer, with bogie axle, without suspension Lighting bar, tyres: 500/55/17" air or hydraulic brakes	O
--	---

80 km/h trailer designed with leaf spring suspension and air brakes	O
---	---

Air or hydraulic brake system for single-axle trailer	O
---	---

Road transport approval (homologation) 40 km/h	O
--	---

Road transport approval (homologation) 80 km/h	O
--	---

Infeed table extension, hydraulically operated	O
--	---

Fully remote controllable operation	O
-------------------------------------	---

Reversible fan motor for cleaning the radiator	O
--	---

Hydraulic support legs (for application with own engine)	O
--	---

Assembly on a hook arm system (only for mobile application)	O
---	---

C-shaped hydraulic wood splitter max. diameter 700 mm	O
---	---

Heavy duty 4-blade chipper drum	O
---------------------------------	---

Heavy duty 4-/8-blade chipper drum	O
------------------------------------	---

Hinged counter blade (with shear bolts)	O
---	---

Rubber conveyor belt for discharging wood chips instead of ejector wheel	O
--	---

Hydraulically activated chipper drum (available for PTO model with coupling and without proportional starter)	O
--	---

Forestry crane assembly, with or without cab (personalised model)	O
---	---

* variable and dependent on operator, available power from own engine or tractor, type of wood, type of screen and technical state of the blades.

S = Standard

O = Option



ADDRESS De Bolanden 9, 7071 PW Ulft (NL) MAILING ADDRESS P.O. Box 16, 7070 AA Ulft (NL)

T +31 315 - 69 54 70 F +31 315 - 69 54 79 E info@henconforestry.com