

Dynapac CC3200

Double drum vibratory rollers



Technical data



Masses

Max. operating mass	9450 kg
Operating mass (incl. ROPS)	8150 kg
Module mass (front/rear)	4075 kg/4075 kg



Traction

Speed range	0 -12 km/h
Vertical oscillation	±7°
Theor. gradeability	37 %



Compaction

Centrifugal force (high/low amplitude)	90 kN/75 kN
Nominal amplitude (high/low)	0.7 mm/0.3 mm
Static linear load (front/rear)	23.6/23.6 kg/cm
Vibration frequency (high/low amplitude)	48 Hz/67 Hz
Water tank volume	750 l



Compaction (CE)

Centrifugal force (high/low amplitude)	77 kN/43 kN
Nominal amplitude (high/low)	0.6 mm/0.2 mm
Static linear load (front/rear)	23.6/23.6 kg/cm
Vibration frequency (high/low amplitude)	48 Hz/62 Hz
Water tank volume	750 l



Engine

Manufacturer/Model	Deutz TCD 3.6 HT T4f
Type	Water cooled turbo Diesel
Rated power, SAE J1995	55 kW (75 hp) @ 2200 rpm
Fuel tank capacity	130 l



Engine

Manufacturer/Model	Cummins QSB 3.3 IIIA/T3
Type	Water cooled turbo Diesel
Rated power, SAE J1995	74 kW (99 hp) @ 2200 rpm



Engine

Manufacturer/Model	Deutz TCD 3.6 IIIB/T4i
Type	Water cooled turbo Diesel
Rated power, SAE J1995	75 kW (100 hp) @ 2200 rpm



Hydraulic system

Driving	Axial piston pump with variable displacement. Axial piston motors (2) with variable displacement.
Vibration	Axial piston pumps (2) with variable displacement. Axial piston motors (2) with constant displacement.
Steering	Gear pump with constant displacement.
Service brake	Hydrostatic in forward and reverse lever.
Parking/ Emergency brake	Failsafe multidisc brake in both drums.

Find us locally at www.dynapac.com

We reserve the right to change specifications without notice. Photos and illustrations do not always show standard versions of machines. The above information is a general description only, all informations are supplied without liability.

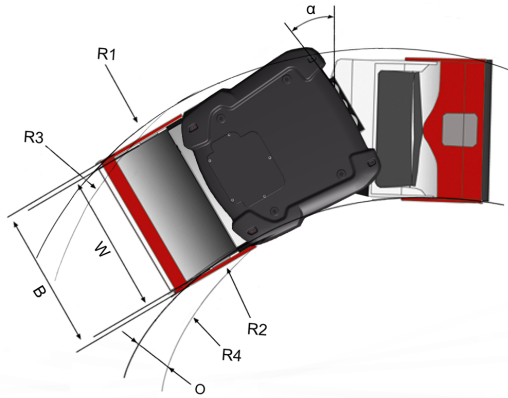
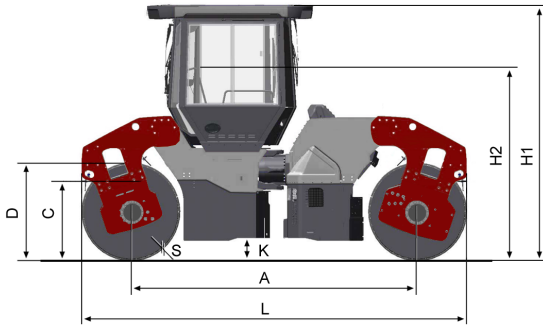
dynapac_cc3200_en-20171221.165706.pdf 2017-12-21 16:57

Dynapac CC3200

Double drum vibratory rollers



Technical data



Dimensions	
A. Wheelbase	3340 mm
B. Width	1870 mm
C. Curb clearance	715 mm
D. Drum diameter	1150 mm
H1. Height, with ROPS/cab	2990 mm
K. Ground clearance	270 mm
L. Length	4490 mm
O. Off-set	335 mm
R1. Turning radius, outside	6690 mm
R2. Turning radius, inside	4960 mm
R3. Turning radius with off-set, outside	5000 mm
R4. Turning radius with off-set, inside	3270 mm
S. Drum shell thickness	20 mm
W. Drum width	1730 mm
α . Steering angle	$\pm 32^\circ$

Find us locally at www.dynapac.com

We reserve the right to change specifications without notice. Photos and illustrations do not always show standard versions of machines. The above information is a general description only, all informations are supplied without liability.