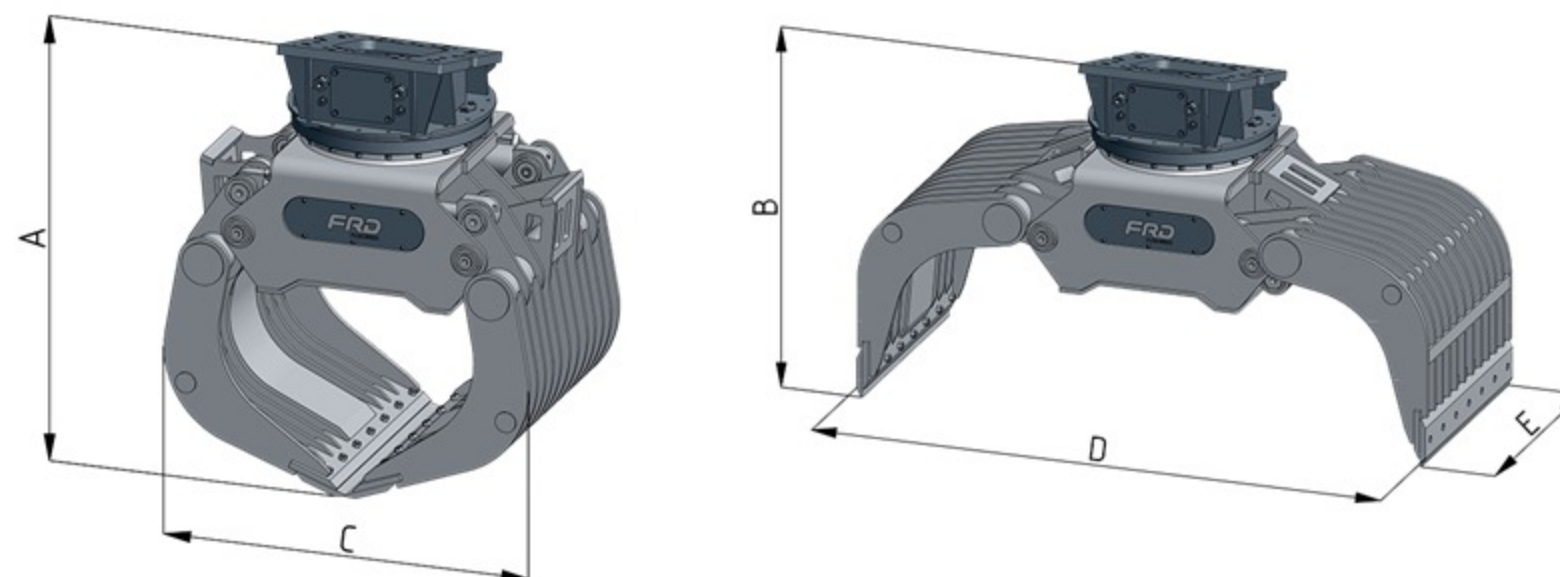


## FDG - DEMOLITION AND SORTING GRAB (1 - 4 TON)

BREAKERS

DEMOLITION TOOLS

CRAWLER DRILLS



Specifications		FDG05-PL	FDG10-PL	FDG15-PL	FDG20-PL	FDG30-PL	FDG35-PL	FDG40-PL	FDG50-PL	FDG60-PL
Operating Weight	kg	140	220	380	510	940	1080	1590	1840	2330
Capacity	l	45	80	130	200	370	370	650	760	925
Loading capacity-grab max	t	1	1	1,5	2	4	4	6	6	8
Rotation motor max	t	5	5	5	10	15	15	20	20	30
A	mm	700	820	930	1075	1205	1420	1595	1765	1800
B	mm	760	720	775	950	1070	1285	1445	1490	1600
C	mm	640	660	825	940	1170	1175	1415	1450	1530
D	mm	1000	1105	1390	1630	1925	1925	2250	2450	2500
E	mm	360	400	500	600	800	800	900	1000	1230
Closing force max.	kN	19	17	23	33	51	59	60	75	75
Working pressure grab max.	bar	250	250	320	300	300	350	350	350	350
Oil flow grab max.	l/min	22	22	32	40	60	60	62	90	112
Working pressure rotation max.	bar	250	250	250	250	250	120	140	140	140
Oil flow rotation max	l/min	20	20	20	28	48	30	30	30	30
Base machine weight	t	1-2	3-5	4-7	5-9	9-15	15-20	20-25	25-30	29-4

Specifications subject to change without any notice