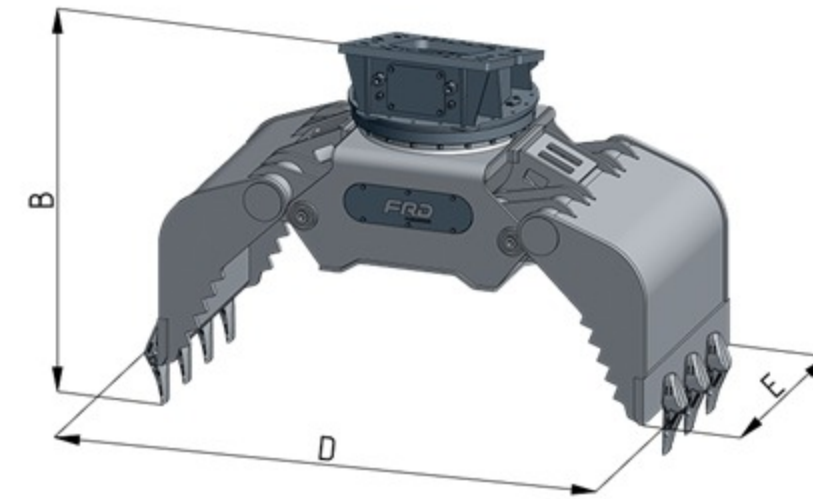
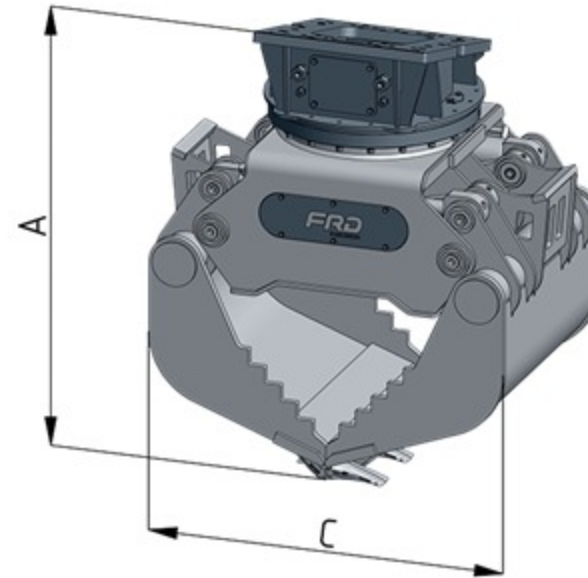


FMP - MULTI PURPOSE GRAB (1 - 40 T)

BREAKERS

DEMOLITION TOOLS

CRAWLER DRILLS



Specifications		FDG05-PL	FDG10-PL	FDG15-PL	FDG20-PL	FDG30-PL	FDG35-PL	FDG40-PL	FDG50-PL	FDG60-PL
Operating Weight	kg	152	195	320	450	830	970	1665	1770	2200
Capacity	l	37	50	90	120	270	270	610	670	1025
Loading capacity-grab max	t	1	1	1,5	2	4	4	6	6	8
Rotation motor max	t	5	5	5	10	15	15	20	20	30
A	mm	670	705	890	1025	1210	1425	1630	1630	1940
B	mm	725	730	905	1085	1235	1450	1640	1640	1870
C	mm	610	610	800	905	1145	1145	1330	1330	1500
D	mm	900	970	1325	1530	1935	1935	2270	2270	2690
E	mm	360	400	450	500	660	660	940	1000	1030
Closing force max.	kN	18	20	28	37	60	60	57	90	85
Working pressure grab max.	bar	250	250	320	350	350	350	350	350	350
Oil flow grab max.	l/min	30	22	32	40	60	60	62	90	112
Working pressure rotation max.	bar	320	250	250	250	250	120	140	140	140
Oil flow rotation max	l/min	20	20	20	28	48	30	30	30	30
Base machine weight	t	1-2	2-5	4-7	5-9	9-15	15-20	16-22	23-30	29-40

Specifications subject to change without any notice