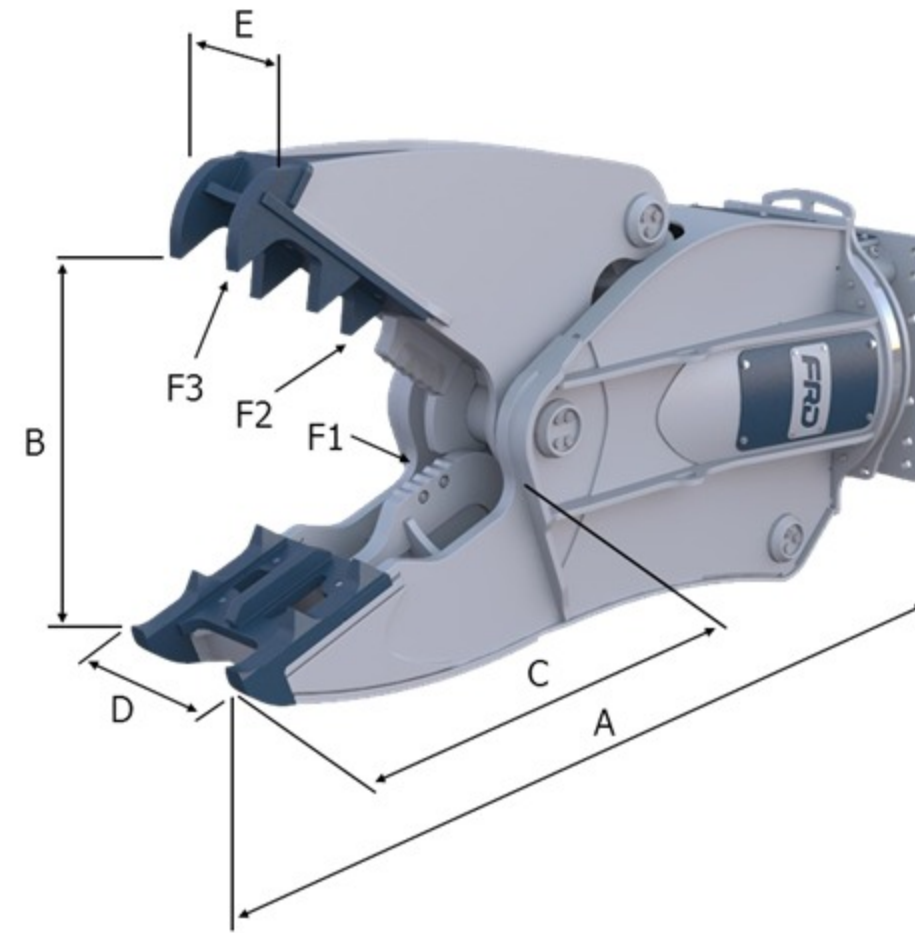


## VM - MUTI PURPOSE CRUSHER (12 - 100 TON)

BREAKERS

DEMOLITION TOOLS

CRAWLER DRILLS



Specifications		VM10ER	VM13ER	VM16ER	VM19ER	VM25ER
A	mm	1525	1880	2035	2225	2575
B	mm	550	635	680	786	930
C	mm	510	670	720	840	940
D	mm	300	404	404	454	454
E	mm	200	260	260	290	290
F1	kN	135	1400	1950	2340	2600
F2	kN	63	800	910	1000	1380
F3	kN	40	550	650	800	1050
Cutter Length	mm	85	150	200	200	200
Oil Flow Rotation	l/min	5 - 8	20 - 30	20 - 30	20 - 30	20 - 30
Operating pressure rotation	Mpa	12	12	12	12	12
Oil Flow	l/min	70 - 110	110 - 160	140 - 200	180 - 230	250 - 300
Operating Pressure	Mpa	23 - 35	35	35	35	35
Operating Weight	kg	630	1290	1630	1907	2560
Base Machine Weight	t	6 - 13	13 - 16	15 - 22	18 - 26	25 - 33

Specifications subject to change without notice

Specifications		VM32ER	VM42ER	VM60ER	VM80ER
A	mm	2734	3080	3415	3780
B	mm	1010	1165	1285	1520
C	mm	1040	1140	1280	1380
D	mm	490	490	540	635
E	mm	314	314	350	540
F1	kN	3500	4200	5000	5900
F2	kN	2750	3410	4100	4800
F3	kN	1200	1460	1750	2050
Cutter Length	mm	200	200	300	300
Oil Flow Rotation	l/min	40 - 50	40 - 50	40 - 50	80 - 100
Operating pressure rotation	Mpa	12	12	12	12
Oil Flow	l/min	300 - 350	350 - 400	400 - 500	500 - 700
Operating Pressure	Mpa	23 - 35	35	35	35
Operating Weight	kg	3330	4400	5800	8700
Base Machine Weight	t	32 - 40	38 - 50	50 - 90	70 - 110

Specifications subject to change without notice