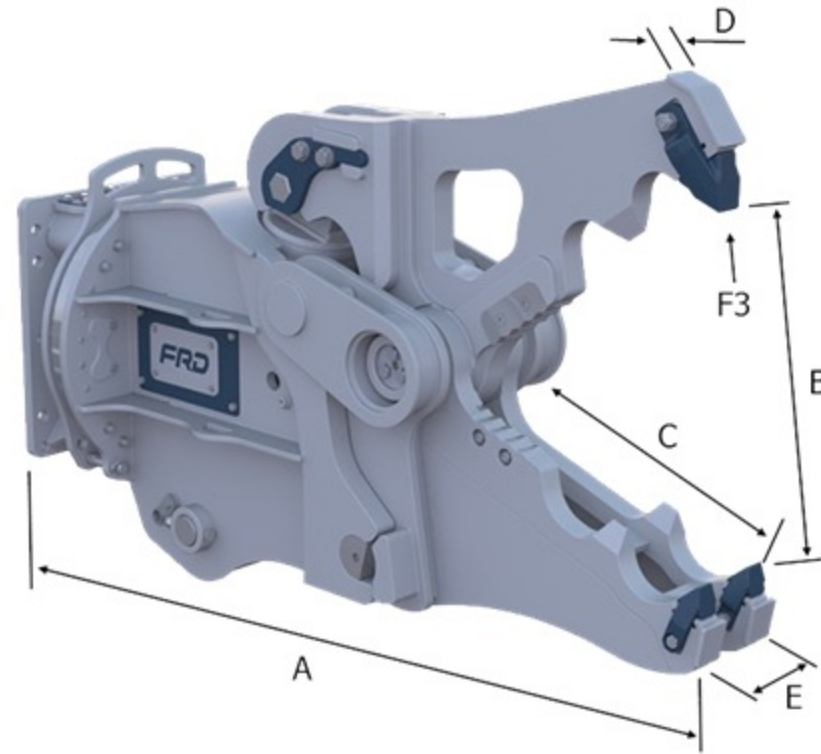


VMX - MULTIPLE USE CRUSHER (7 - 50 TON)

BREAKERS

DEMOLITION TOOLS

CRAWLER DRILLS



Specifications - Base Body	VMX10 Body	VMX13 Body	VMX17 Body	VMX25 Body	VMX30 Body	VMX35 Body
Rotation	360	360	360	360	360	360
Oil Flow (rotation)	l/m 5 - 8	20 - 30	20 - 30	20 - 30	20 - 30	40 - 50
Working Pressure (rotation)	Mpa 12	120	12	12	12	12
Oil Flow	l/min 70 - 90	90 - 140	110 - 160	170 - 210	200 - 250	300 - 400
Working Pressure	Mpa 23 - 35	23 - 35	35	35	35	35
Operating Weight	kg 485	655	905	1224	1555	2090
Excavator Weight	t 7 - 13	10 - 16	13 - 21	18 - 27	26 - 38	35 - 50

Specifications subject to change without notice

P Jaw (P)	VMX10 P	VMX13 P	VMX17 P	VMX25 P	VMX30 P	VMX35 P
Total Length	1595	1785	1994	2070	2460	2555
Jaw Opening	530	610	717	780	861	957
Jaw Depth	480	580	700	760	810	910
Width Upper Jaw	60	60	70	70	90	110
Width Lower Jaw	190	240	240	240	270	300
Cutter Length	200	200	200	200	200	200
Weight	225	475	599	842	1095	1525
Operating Weight	710	1130	1504	2066	2650	3615

Specifications subject to change without notice

S Jaw (S)	VMX10 S	VMX13 S	VMX17 S	VMX25 S	VMX30 S	VMX35 S
Total Length	1620	1780	1995	2088	2378	2585
Jaw Opening	535	630	720	780	890	980
Jaw Depth	525	630	730	780	880	930
Width Upper Jaw	170	260	260	260	300	340
Width Lower Jaw	290	320	380	380	420	470
Cutter Length	85	150	150	200	200	200
Weight Jaw	281	485	645	887	1190	1670
Operating Weight	766	1140	1550	2111	2745	3760

Specifications subject to change without notice

C Jaw (C)	VMX10ER C	VMX13 C	VMX17ER C	VMX25ER C	VMX30ER C	VMX40ER C
Total Length	1475	1610	1826	1853	2134	2350
Jaw Opening	265	335	392	392	490	555
Jaw Depth	335	340	493	493	600	560
Width Upper Jaw	90	90	105	105	120	120
Width Lower Jaw	260	260	280	300	380	415
Cutter Length	45/65		90	115	140	160
Weight Jaw	245	430	597	803	1085	1520
Operating Weight	730	1085	1502	2027	2640	3610

Specifications subject to change without notice

M Jaw (M)	VMX10ER M	VMX13 M	VMX17ER M	VMX25ER M	VMX30ER M	VMX40ER M
Total Length	1595	1785	1994	2070	2460	2555
Jaw Opening	530	610	717	780	861	957
Jaw Depth	480	580	700	760	810	910
Width Upper Jaw	60	60	70	70	90	110
Width Lower Jaw	230	230	240	240	270	300
Cutter Length	280	320	340	340	430	430
Weight Jaw	282	505	665	889	1217	1700
Operating Weight	767	1160	1570	2113	2772	3770

Specifications subject to change without notice